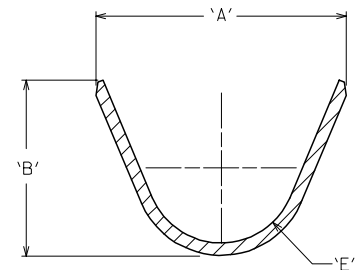
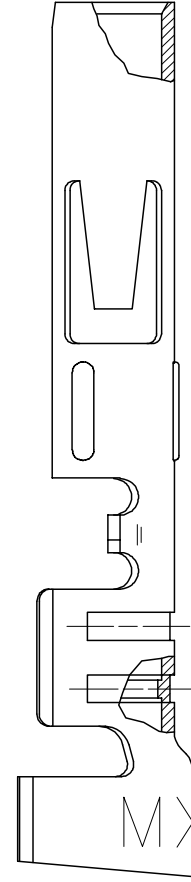
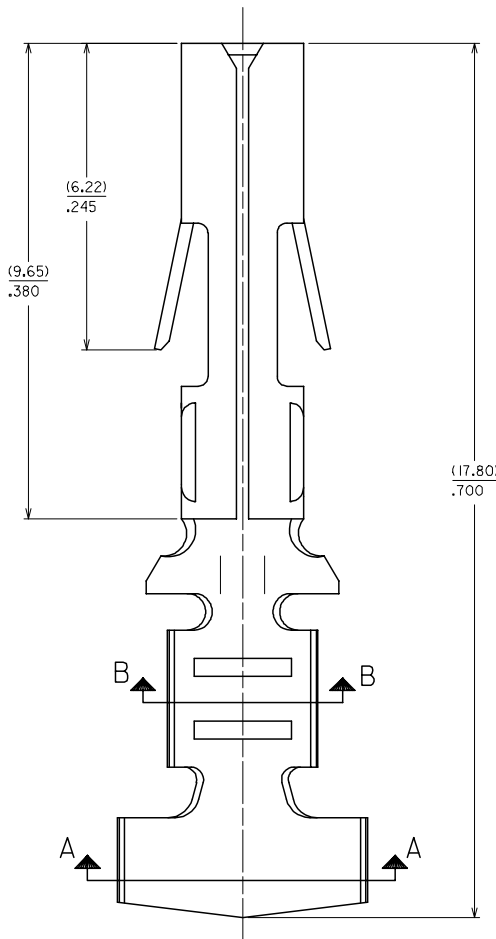
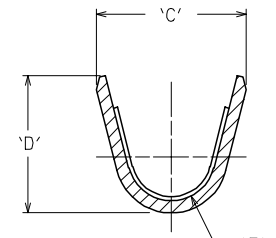


EDP NO.	ENG NO.	FORM	'A'	'B'	'C'	'D'	'E'	'F'
02-08-1201	8980-3C	CHAIN,14-20 AWG WIRE	(4.44)	(3.39)	(3.02)	(3.61)	(1.23)	(0.61)
02-08-1202	8980-3L	LOOSE,14-20 AWG WIRE	.175	.133	.119	.142	.048	.024

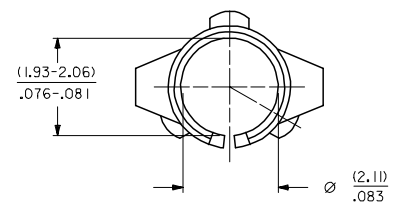
NOTES:  
 1. FINISH: (.00089)/.000035 MN. TIN OVER  
 (.00051)/.000020 MIN COPPER (COPPER PLATE REFLOWED)  
 2. MATERIAL: (.025)/.010 THK PHOS  
 BRONZE, ALLOY CA 51000.



SECTION A-A



SECTION B-B



OBS060702	EC NO: S2007-0797	2007/03/30
	DRWN:GEMARLY	2007/04/03
	CHKD:SKANG	2007/04/03
	APPR:MLONG	2007/04/03

REV	DESCRIPTION
0	

QUALITY SYMBOLS	
$\nabla=0$	
$\triangle=0$	

GENERAL TOLERANCES (UNLESS SPECIFIED)	
	MM
4 PLACES	± .010
3 PLACES	± .025
2 PLACES	± .050
1 PLACE	± .125
ANGULAR ± 1 °	

DIMENSION STYLE		SCALE	DESIGN UNITS	THIRD ANGLE PROJECTION
MM/IN		NTS	METRIC	
DRAWN BY	DATE	TITLE		
TAY	1987/12/15	TERMINAL SOCKET		
CHECKED BY	DATE	DIA. (2.096)/.0825		
AT	1987/12/15			
APPROVED BY	DATE	MOLEX INCORPORATED		
AB	1987/12/15			
MATERIAL NO.	DOCUMENT NO.	SHEET NO.		
SEE TABLE	SD-8980-3*	1 OF 1		